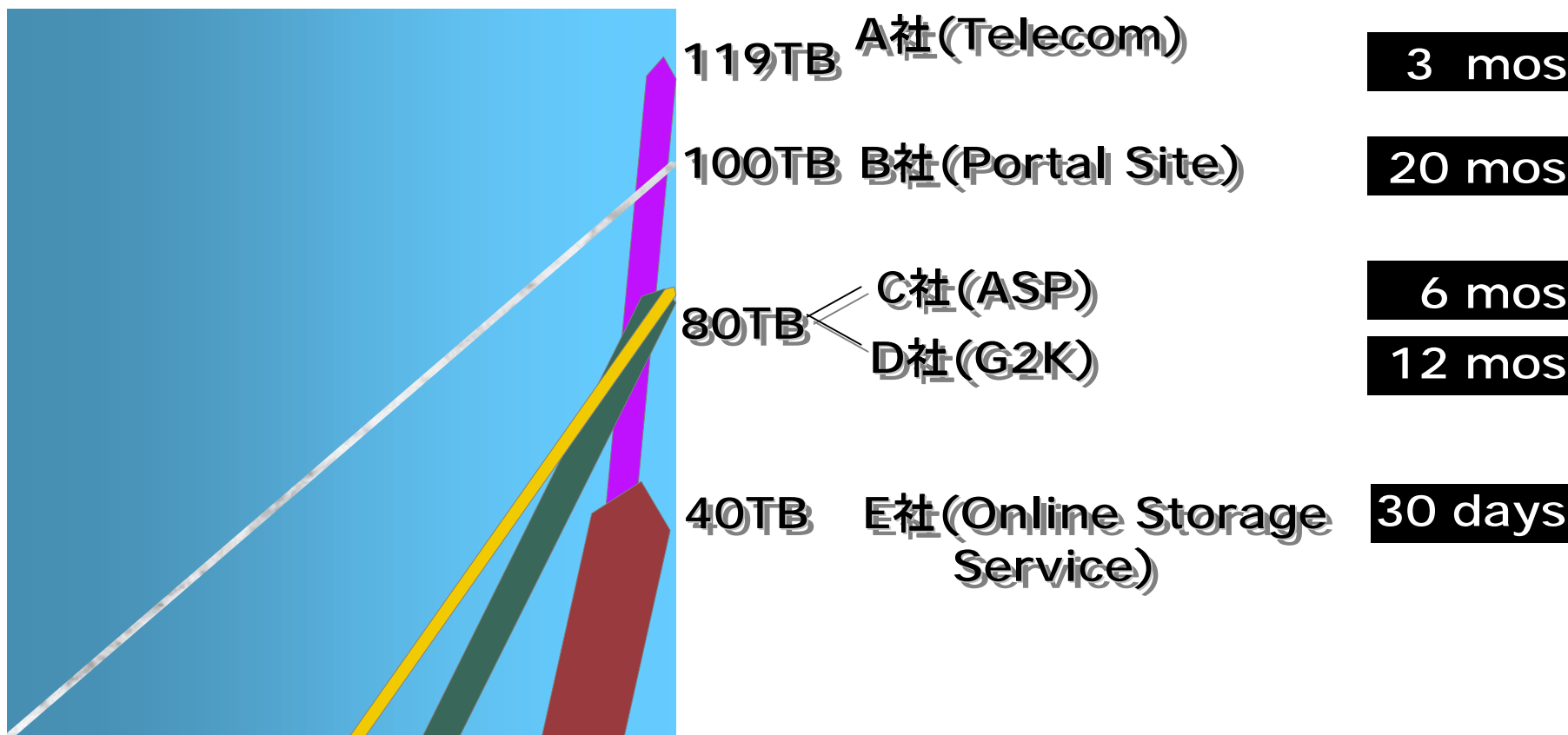




SAN/NAS/iSCSI/SAN FS



inoue_hiroki@emc.com



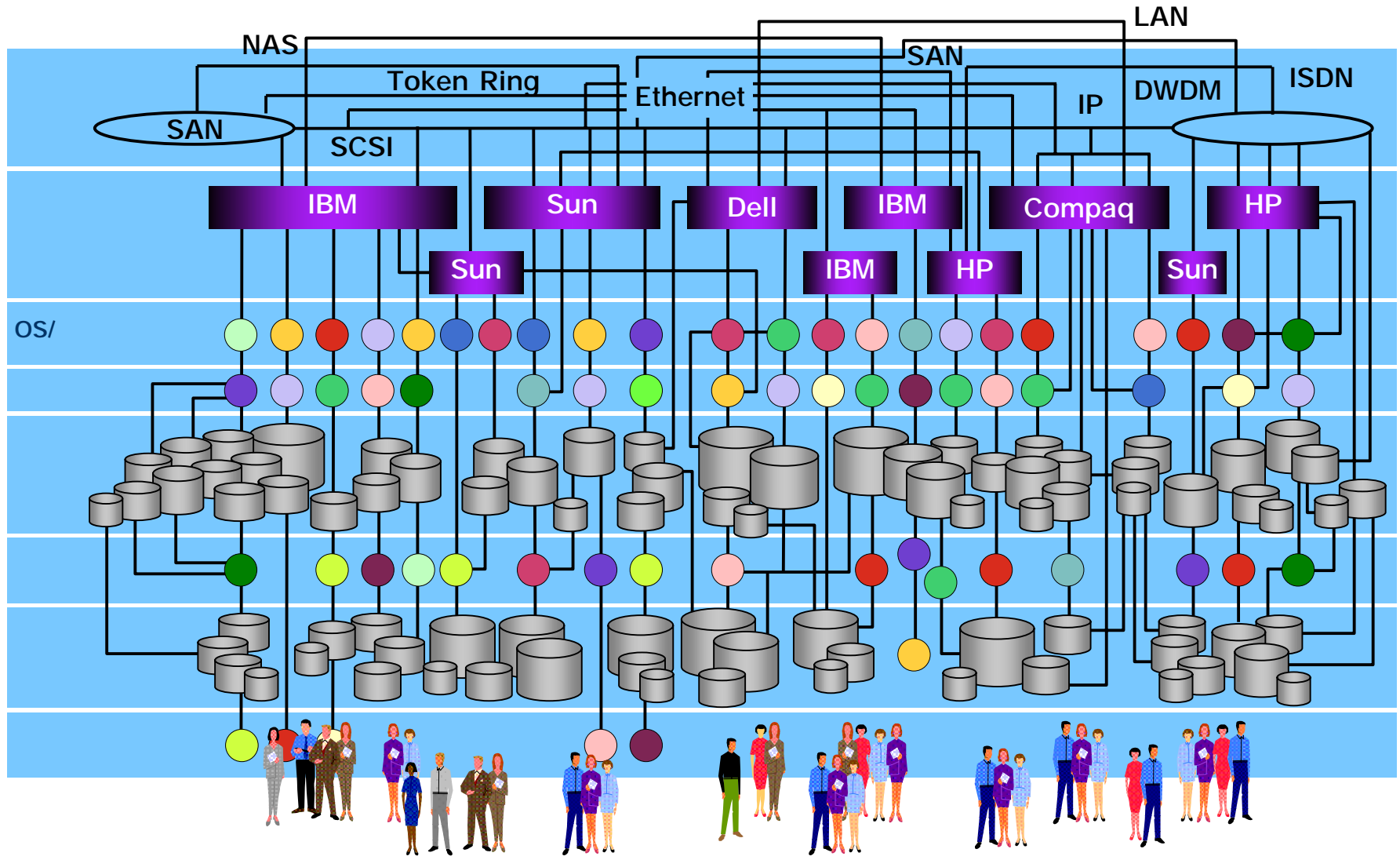


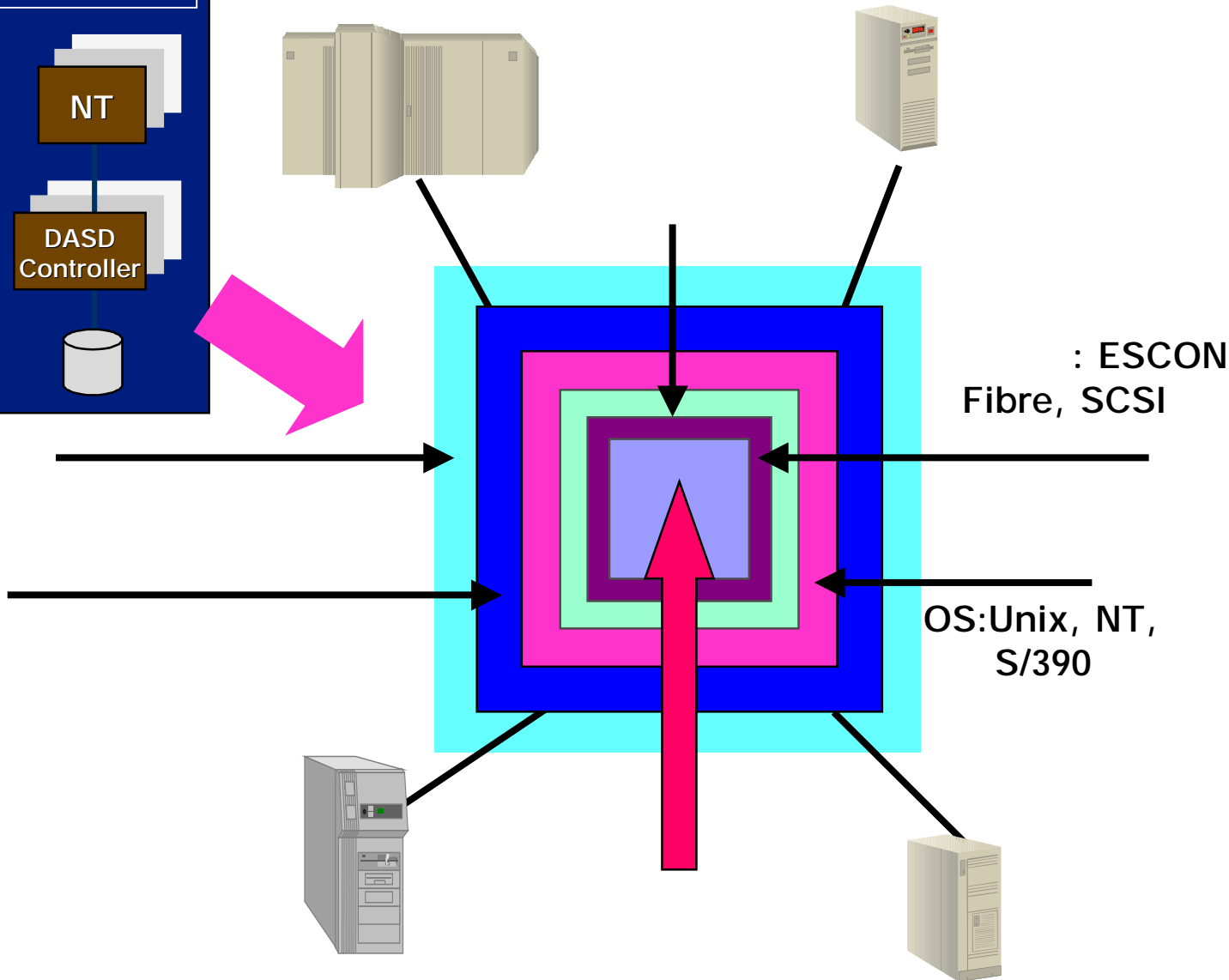
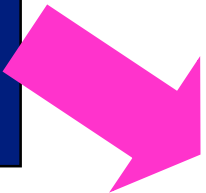
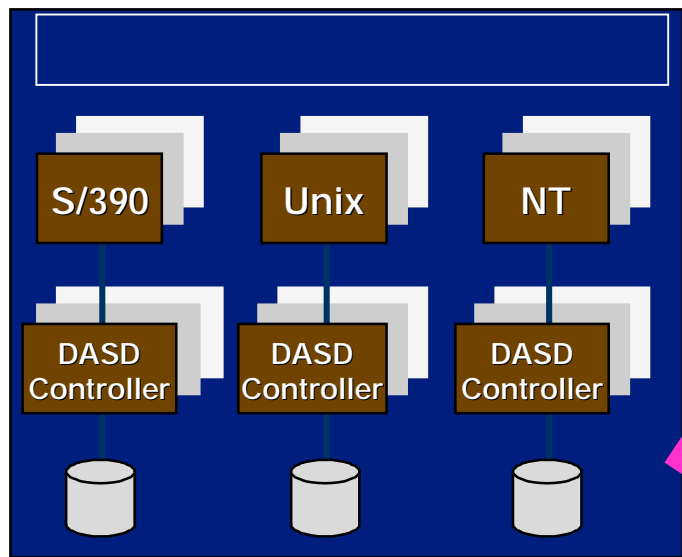
OS/

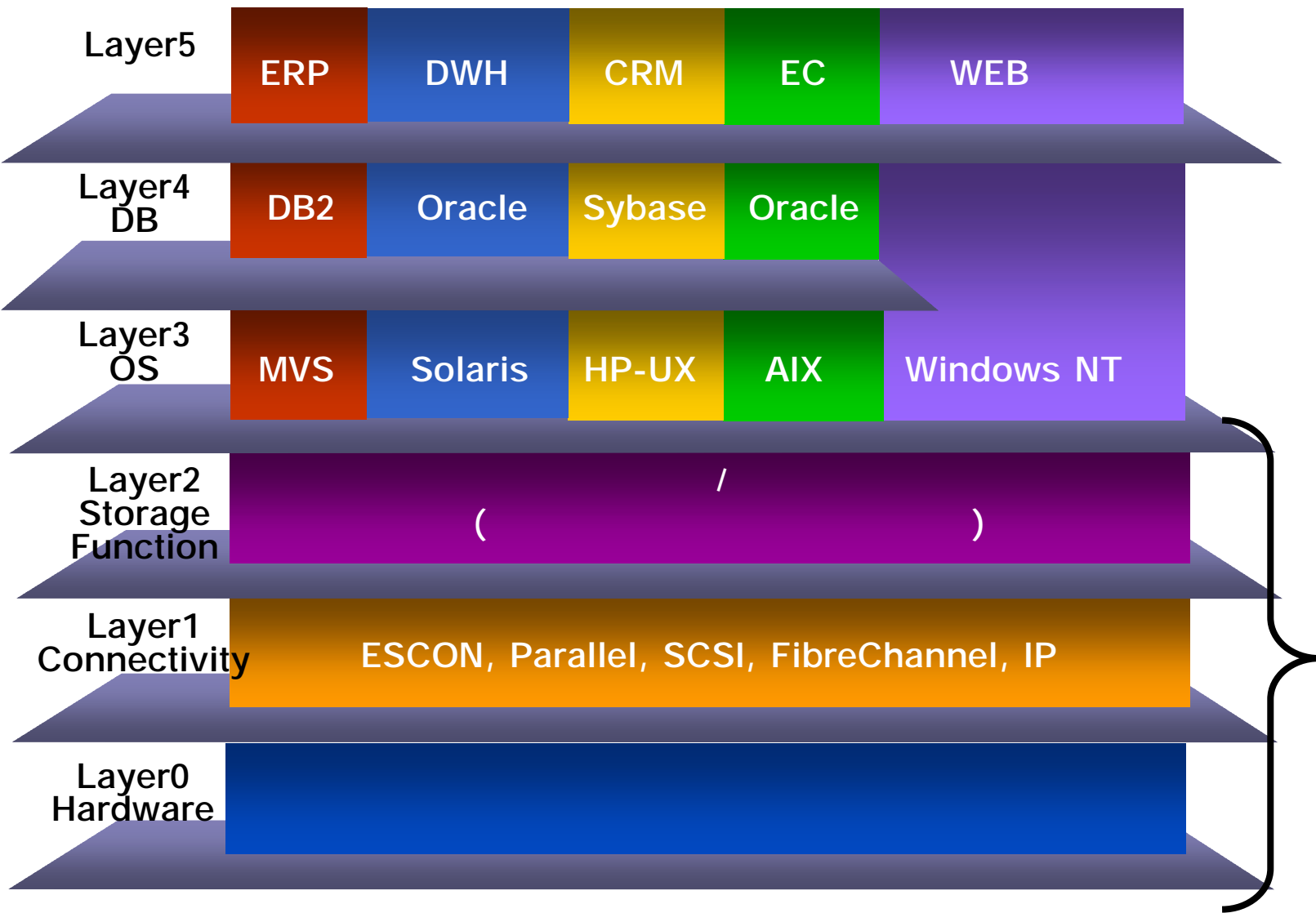




()









File vs Block

Network

Direct or dedicated
Storage Network

LAN, WAN
(TCP/IP)

Block

DAS
(Direct Attached)

SAN

SCSI over IP,
iSCSI

Access Level

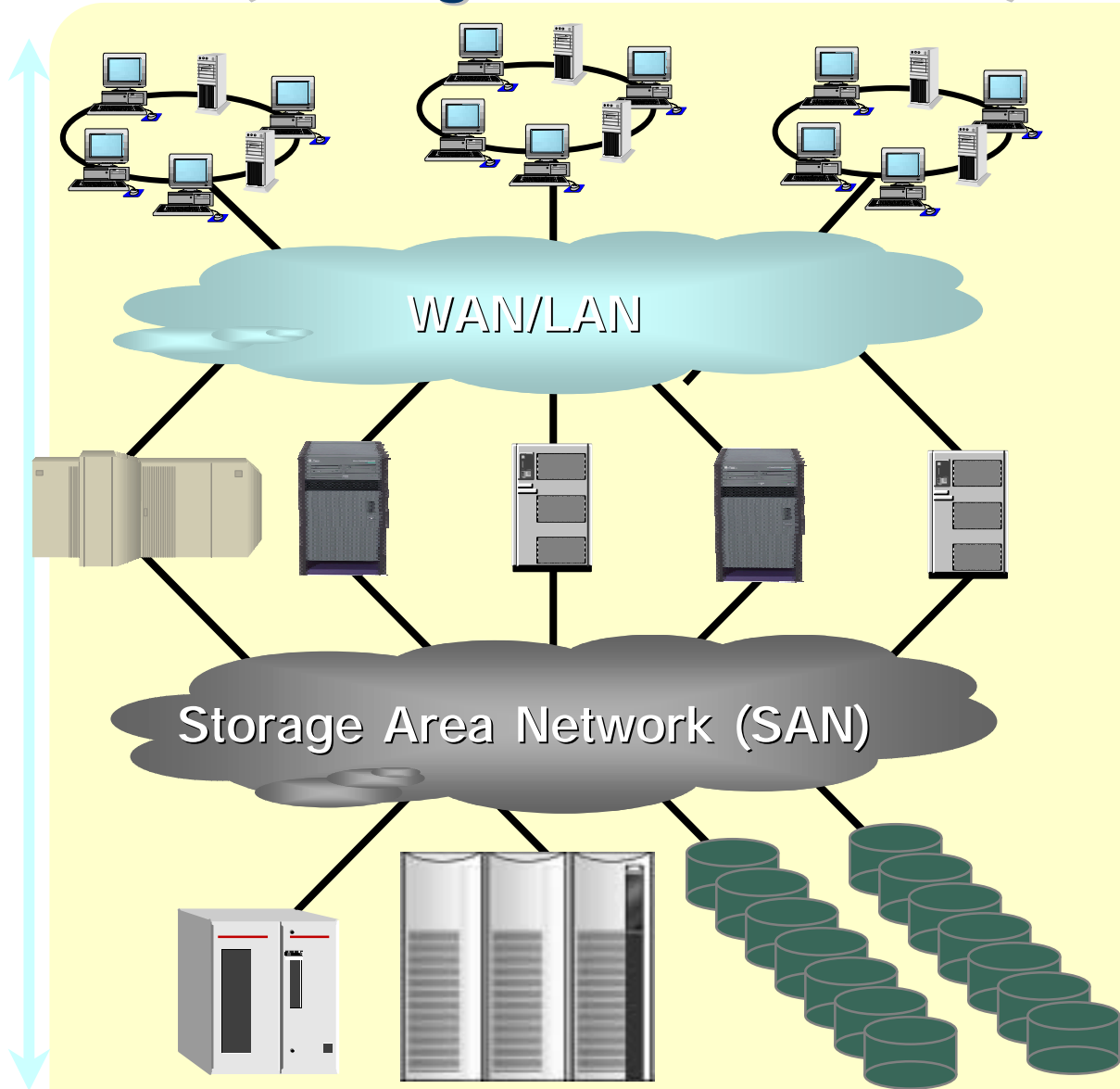
File

SANFS
(MPFS, DAFS,
Snagy, etc)

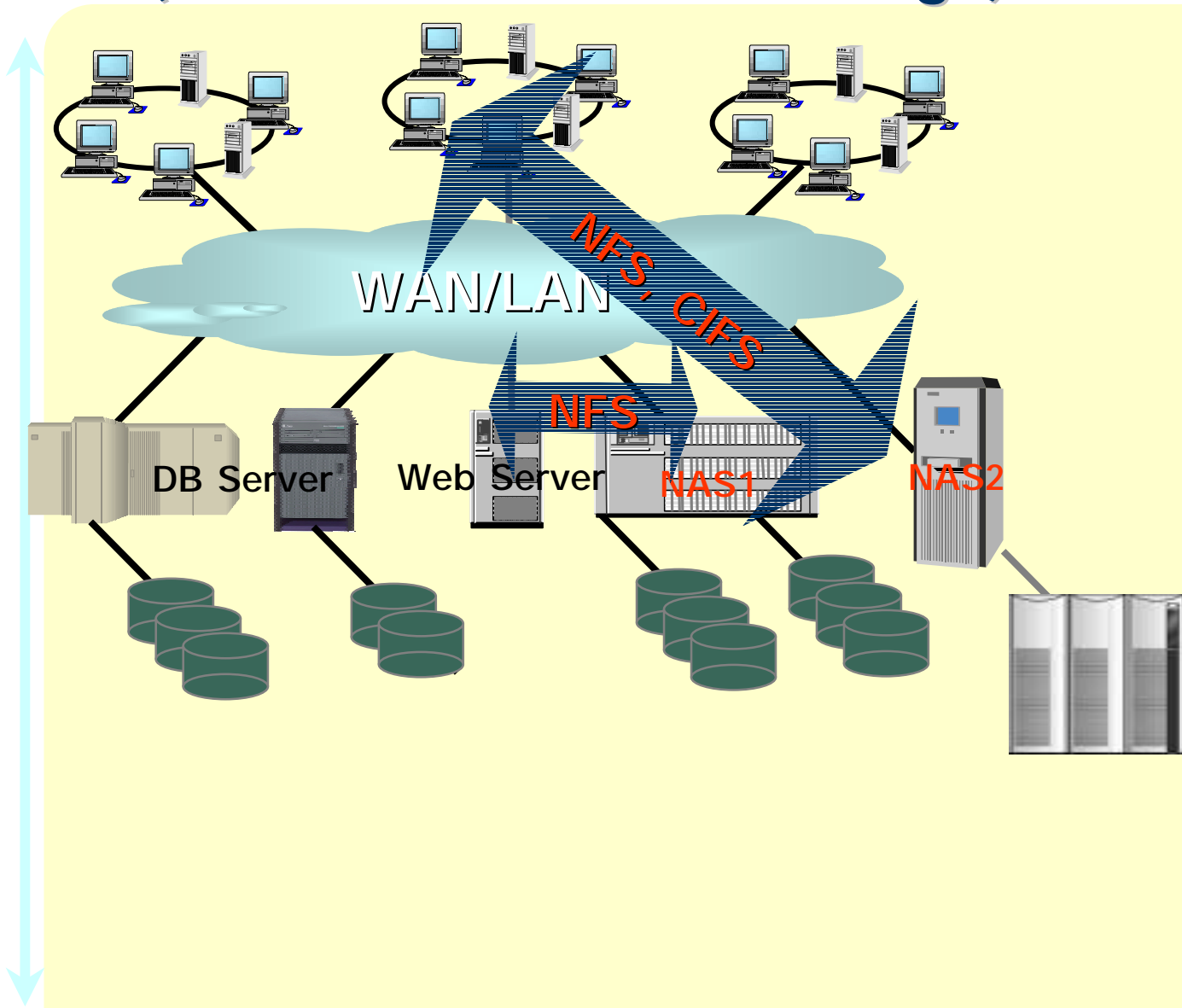
NAS

SAN(Storage Area Network)

App/DB



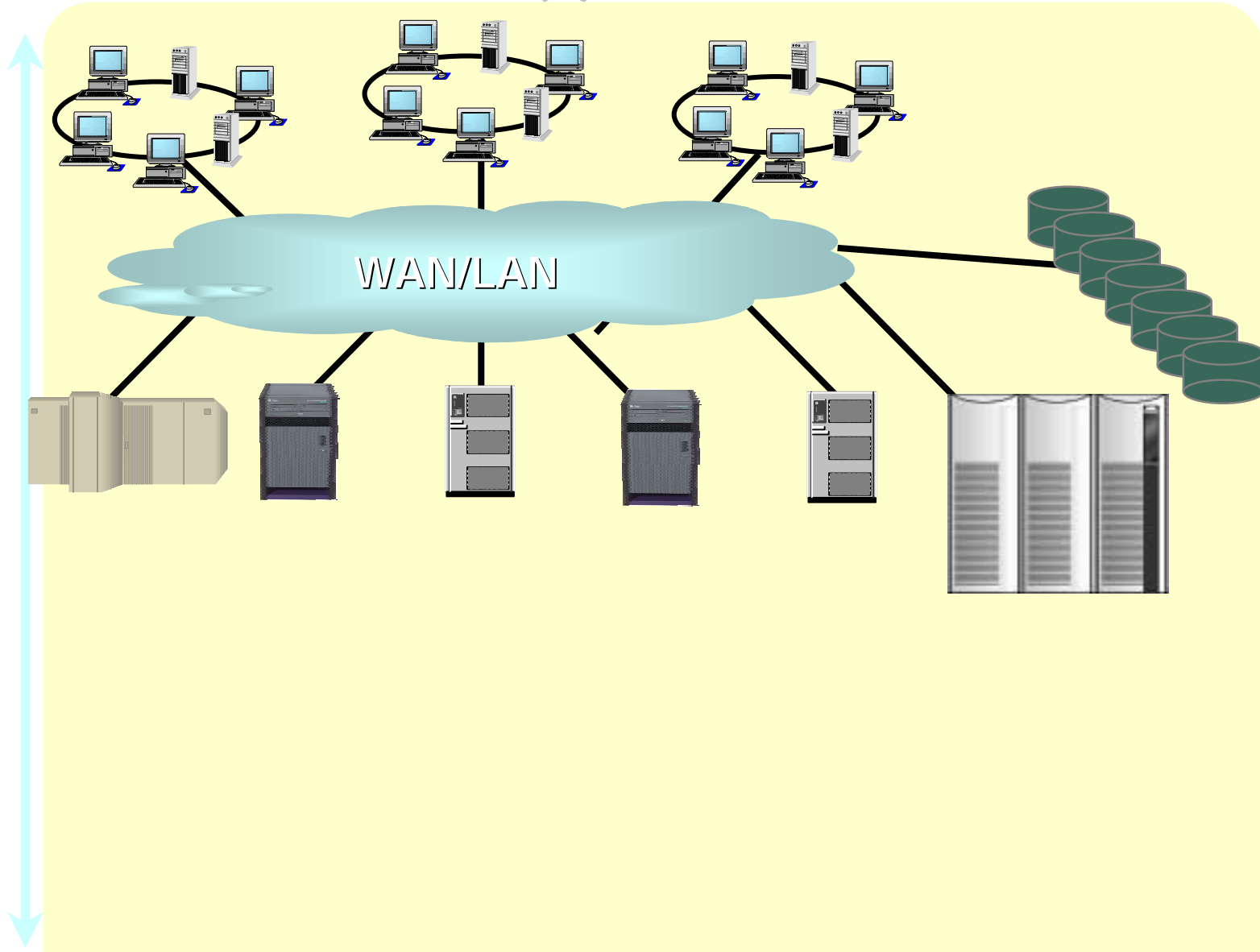
NAS(Network Attached Storage)





iSCSI(1)

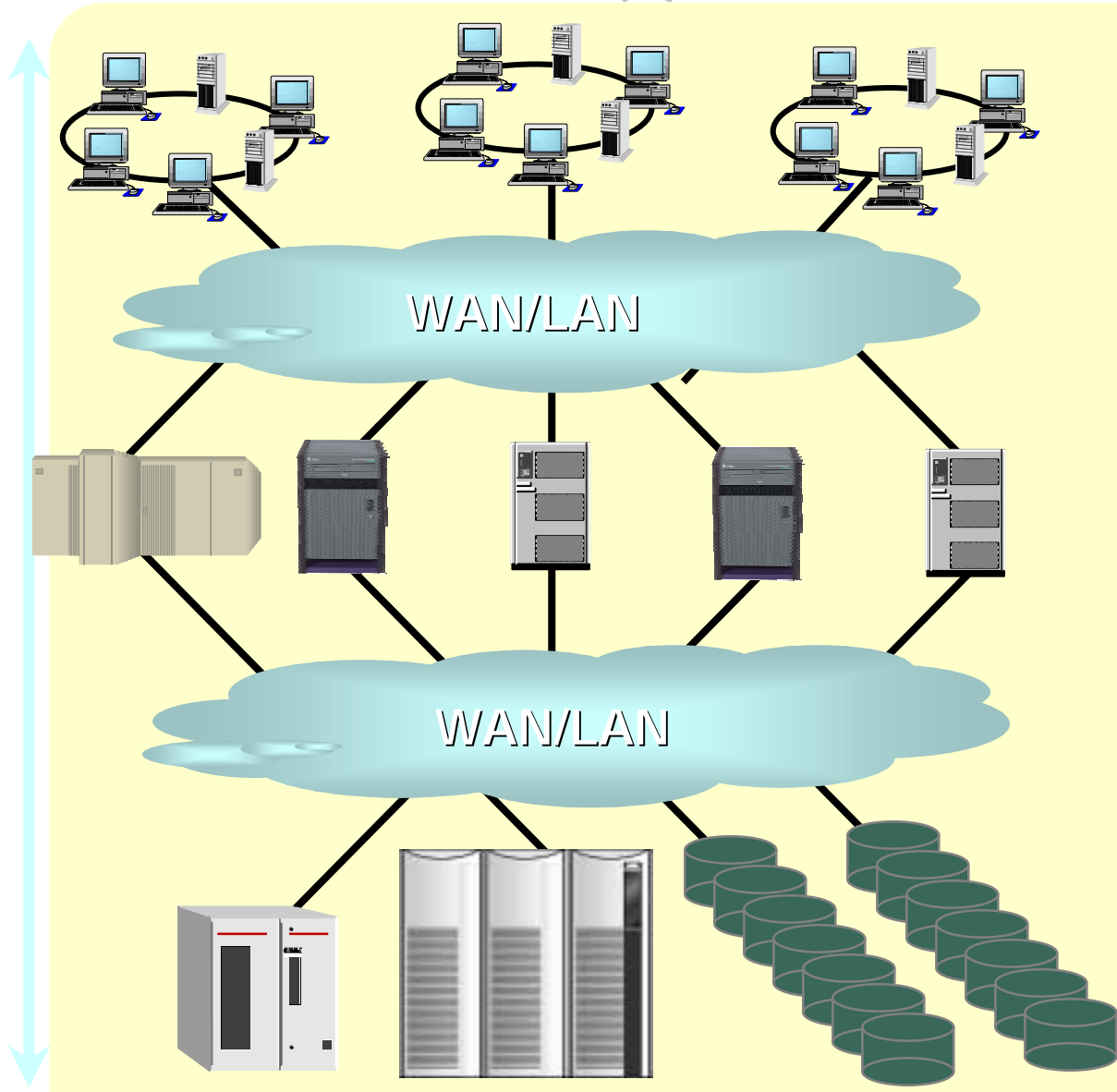
App/DB



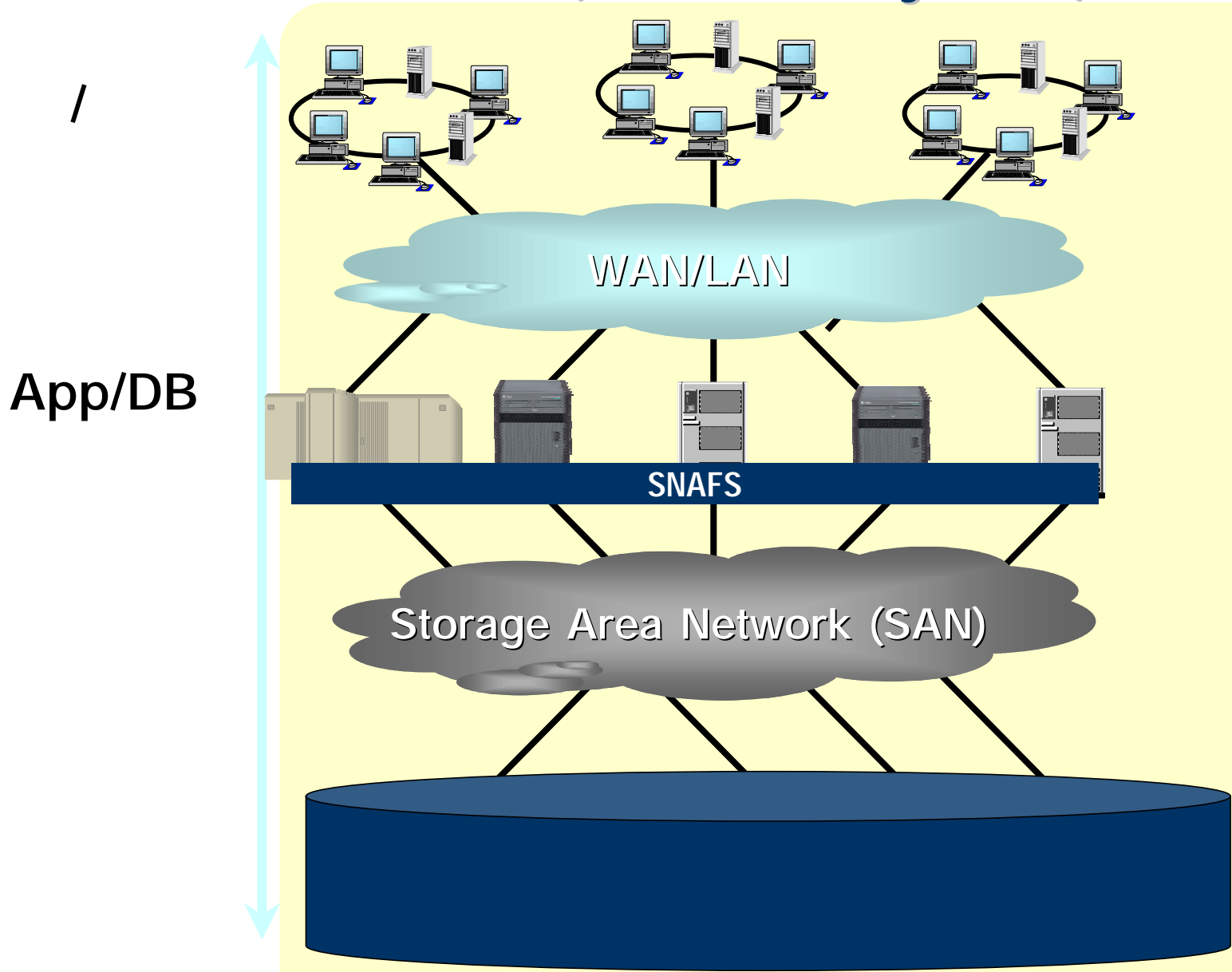


iSCSI(2)

/
App/DB



SAN FS(SAN File System)





SAN/NAS/SAN FS/iSCSI

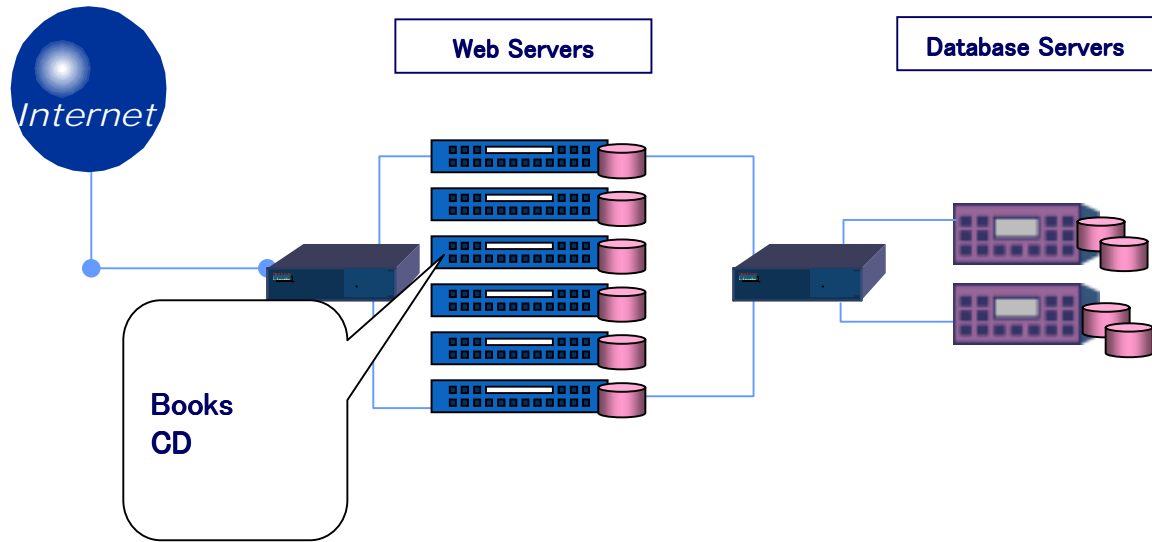
	SAN	NAS	SAN FS	iSCSI
	SAN	TCP/IP	SAN	TCP/IP
				x
			x	
			I/O	I/O
		(CAD)	I/O
)		



(EC)

DAS(Direct Attached Storage)

Local Area Network
Storage Area Network

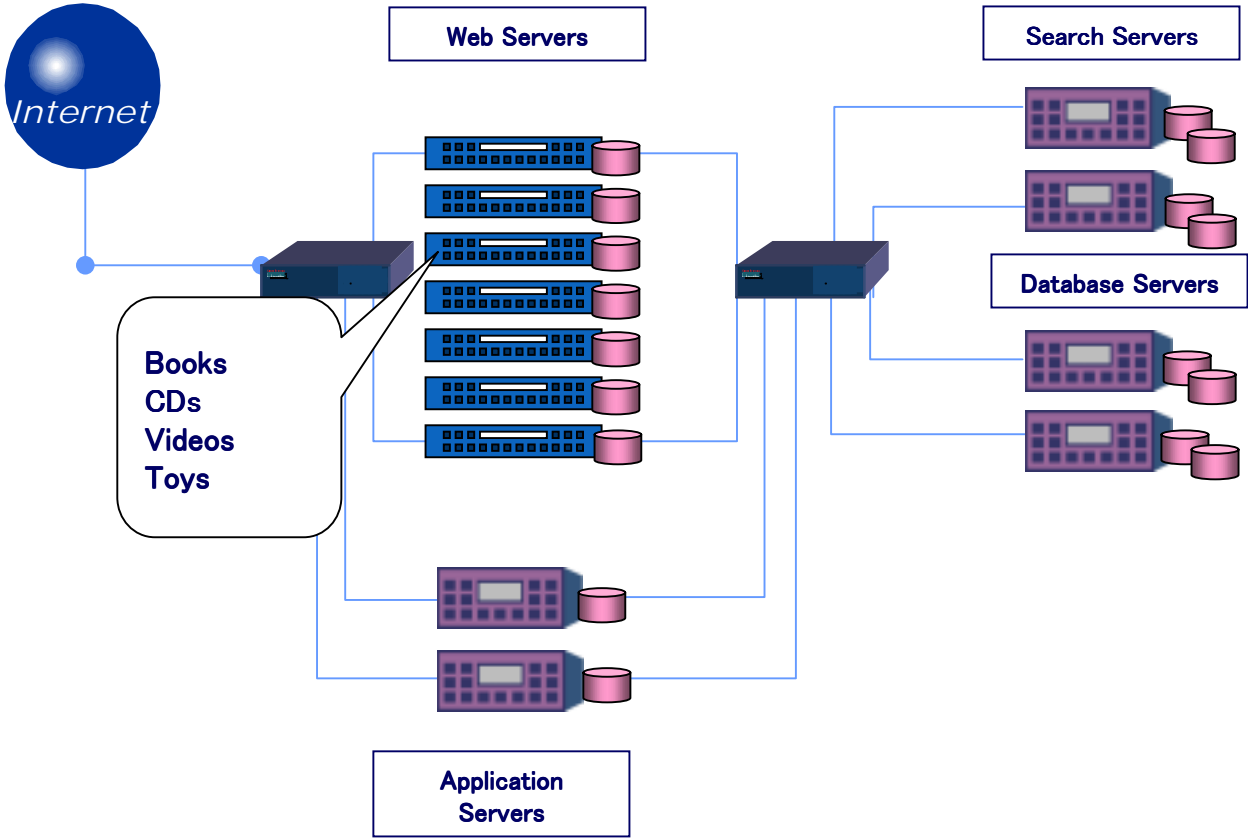




(EC)

— Local Area Network
— Storage Area Network

DAS (Direct Attached Storage)

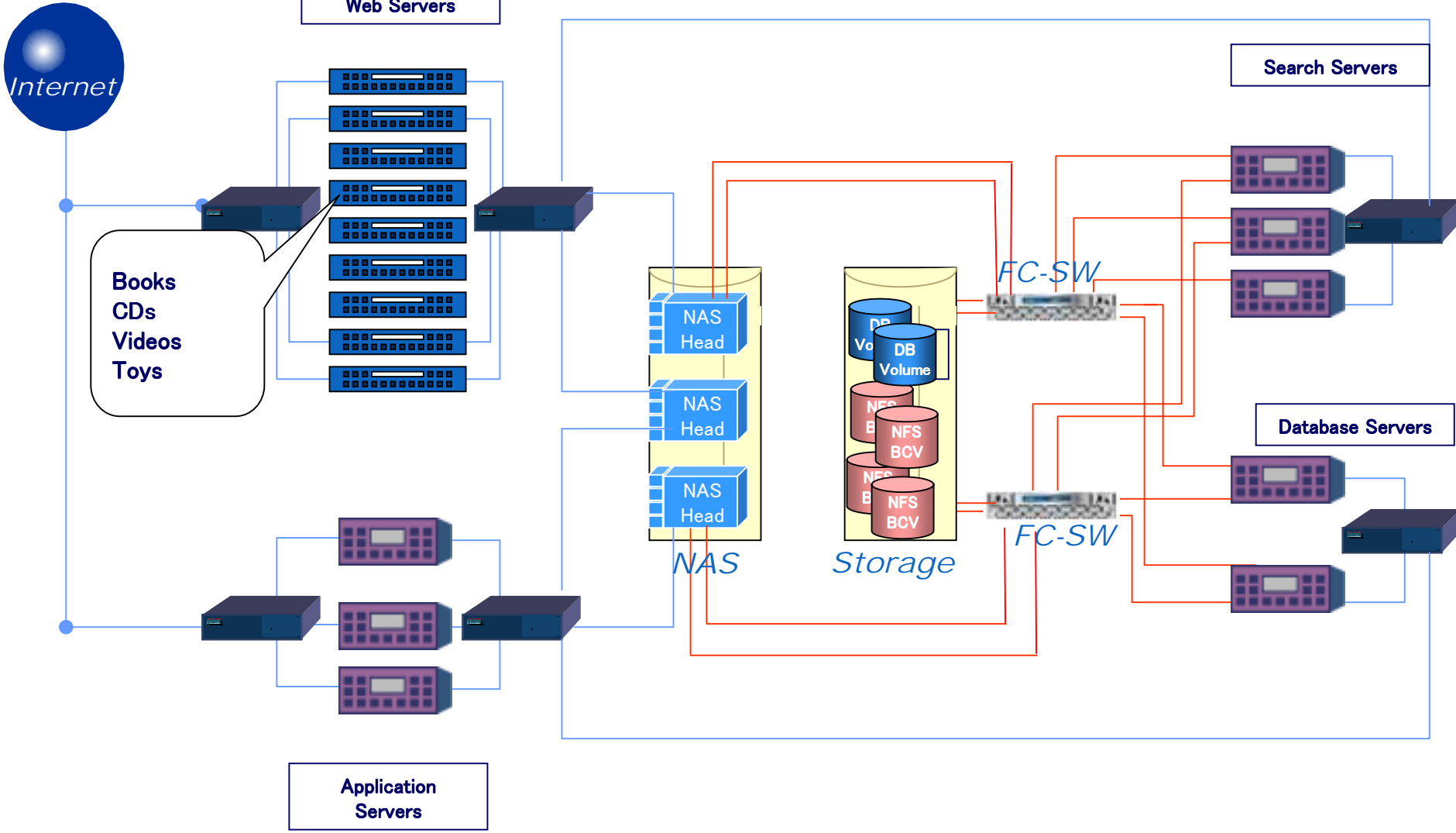




(EC)

NAS (Network Attached Storage) と SAN (Storage Area Network) を融合

Local Area Network
Storage Area Network





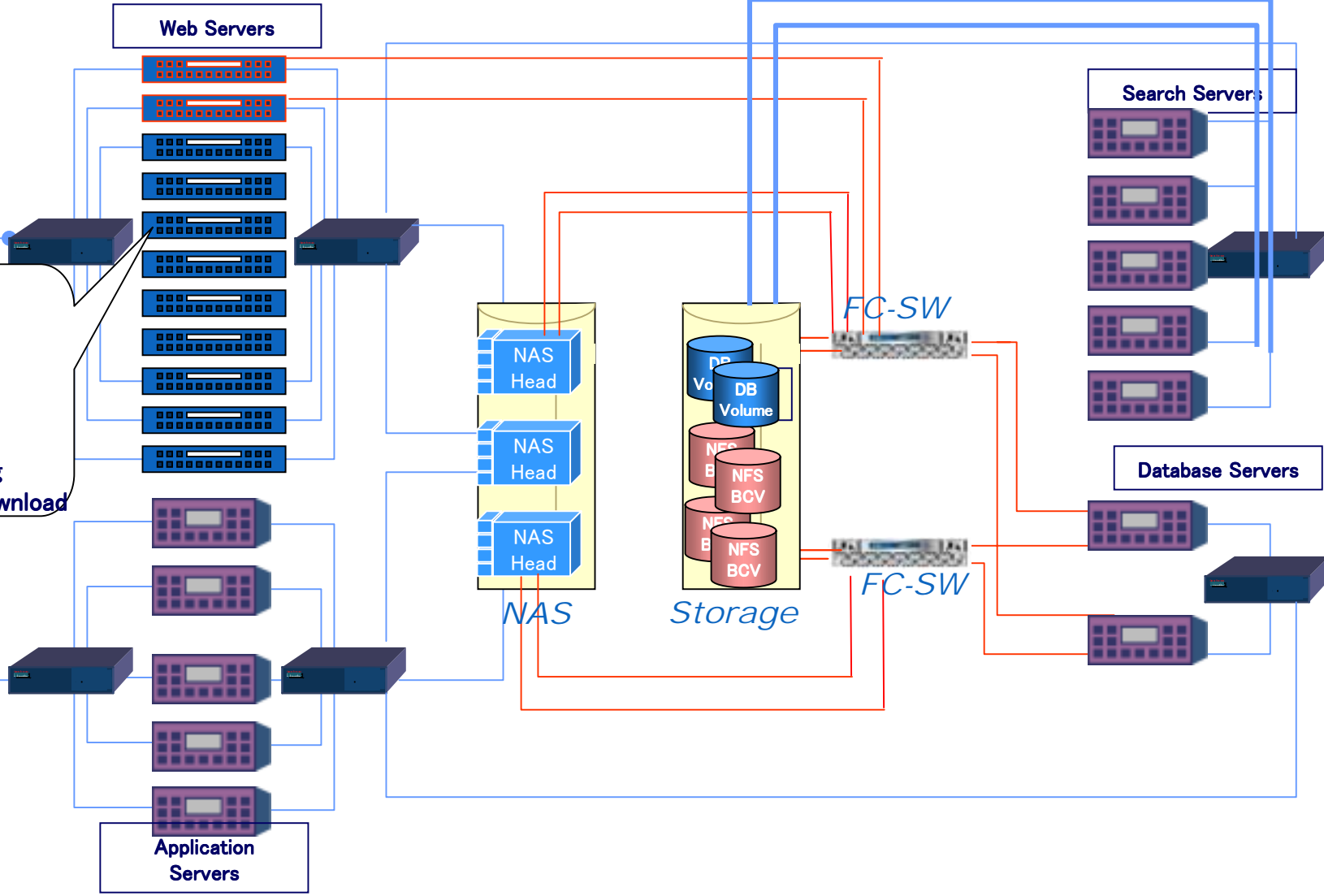
(EC)

NAS、SAN、SAN FSおよびiSCSI を融合

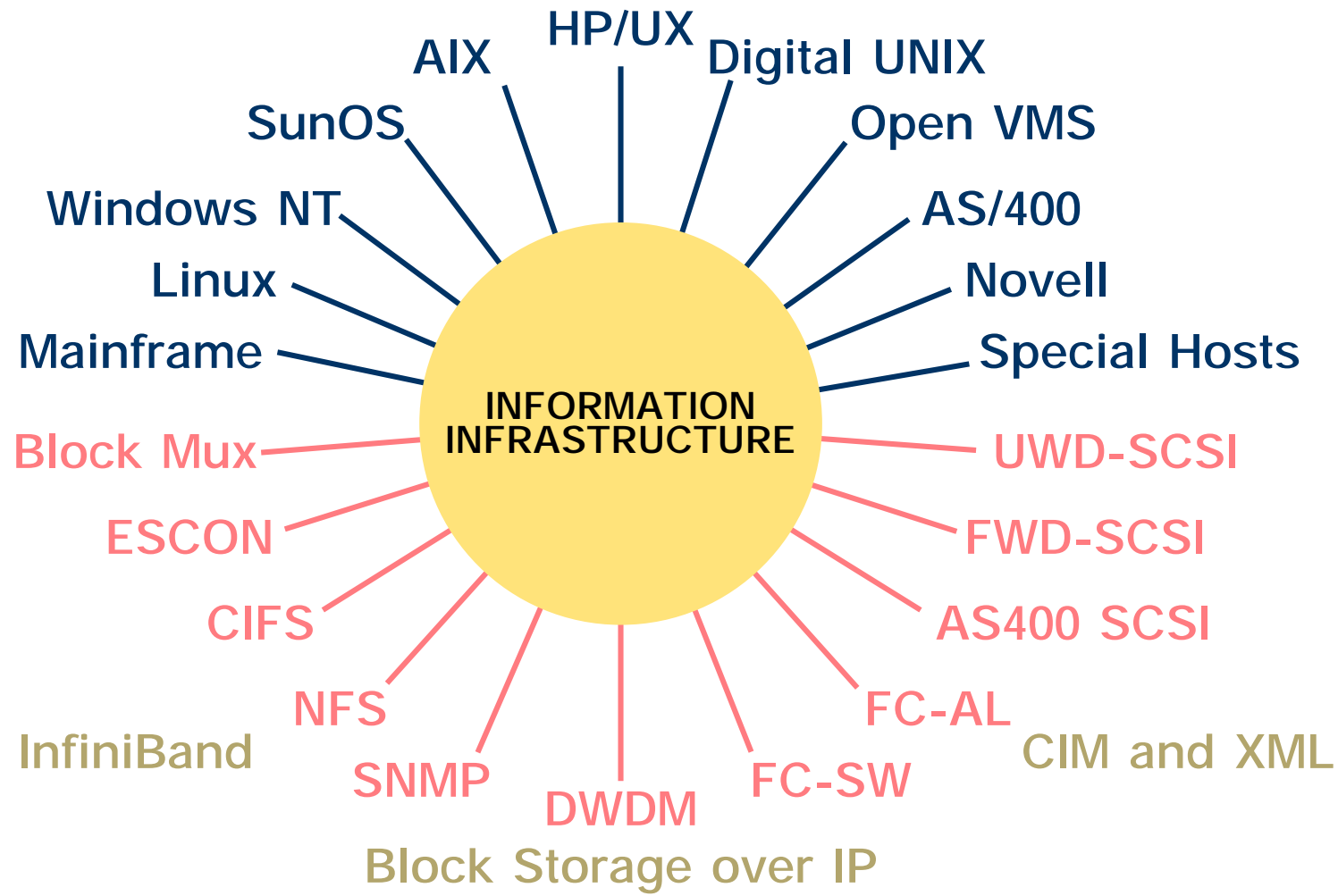
Local Area Network
Storage Area Network



- Books
- CDs
- Videos
- Toys
- Cargoods
- Wines
- Streaming
- Music Download



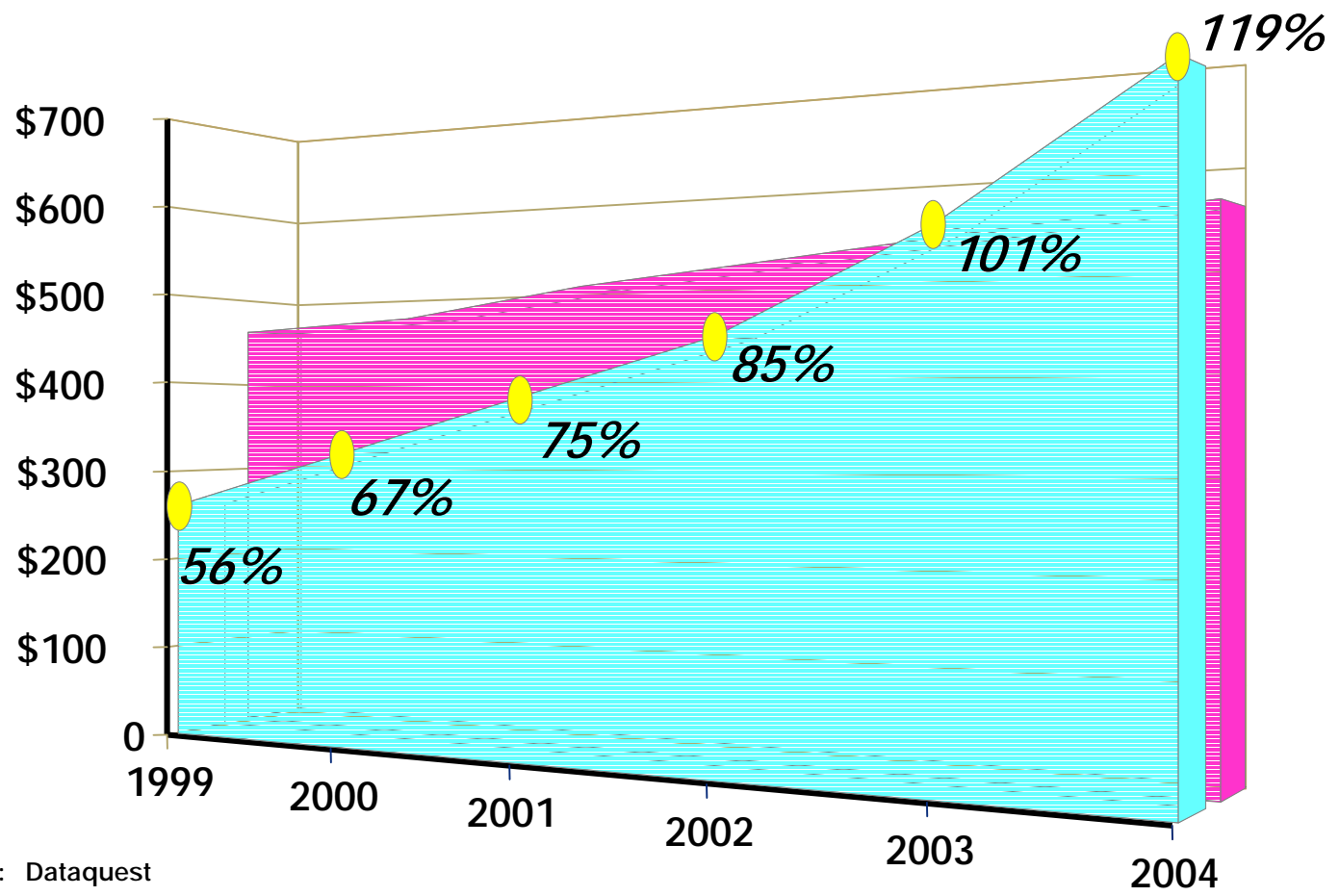
A Continued Commitment to Open Connectivity



Choice, Interoperability, and Management



⋮



Source: Dataquest