



IXと100GBIT ETHERNET

2011/07/15

ブロードコム コミュニケーションズ システムズ
データセンターテクノロジー本部
菊池 之裕

Legal Disclaimer

All or some of the products detailed in this presentation may still be under development and certain specifications, including but not limited to, release dates, prices, and product features, may change. The products may not function as intended and a production version of the products may never be released. Even if a production version is released, it may be materially different from the pre-release version discussed in this presentation.

Nothing in this presentation shall be deemed to create a warranty of any kind, either express or implied, statutory or otherwise, including but not limited to, any implied warranties of merchantability, fitness for a particular purpose, or noninfringement of third-party rights with respect to any products and services referenced herein.

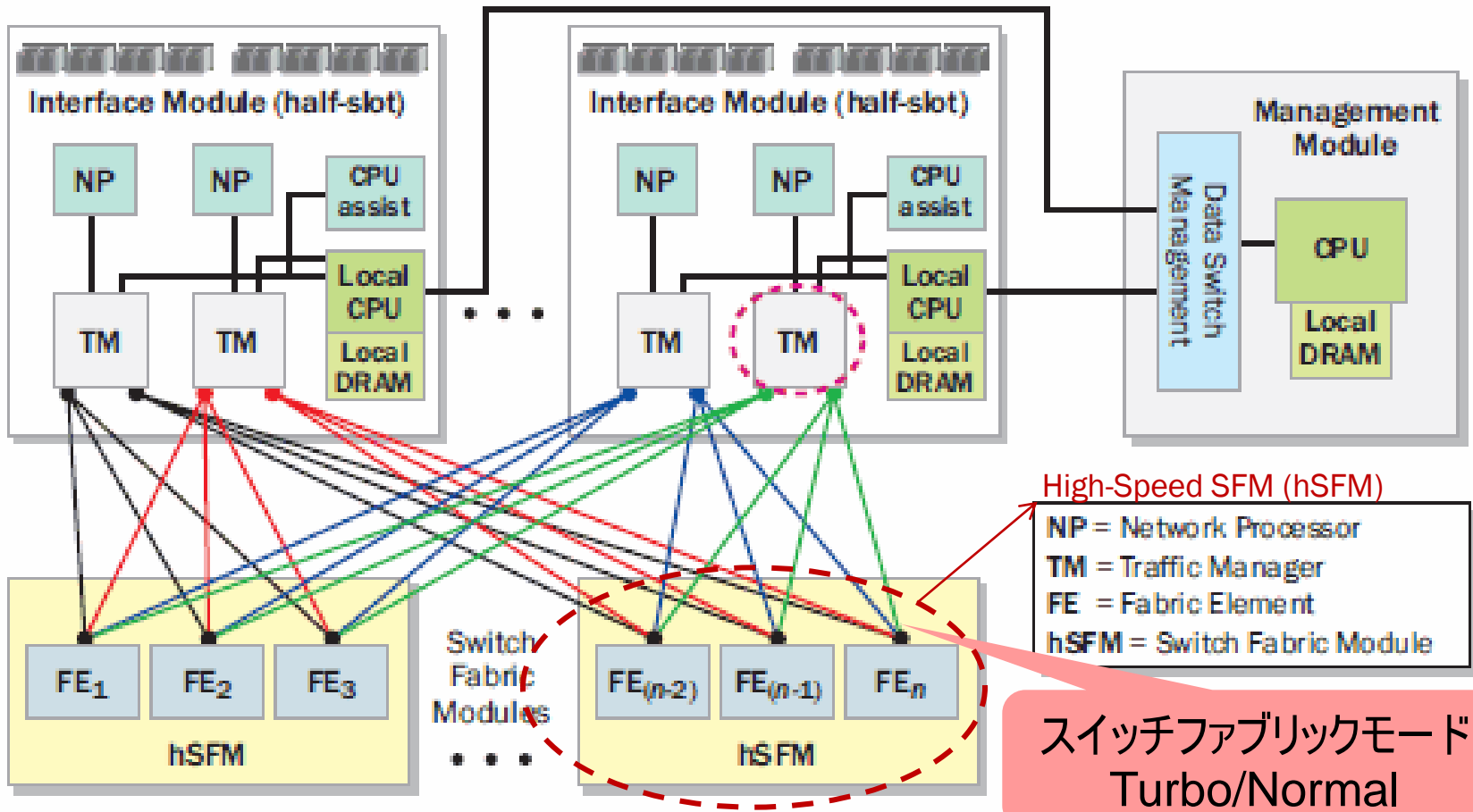
Brocade, the B-wing symbol, DCX, Fabric OS, and SAN Health are registered trademarks, and Brocade Assurance, Brocade NET Health, Brocade One, CloudPlex, MLX, VCS, VDX, and When the Mission Is Critical, the Network Is Brocade are trademarks of Brocade Communications Systems, Inc., in the United States and/or in other countries. Other brands, products, or service names mentioned are or may be trademarks or service marks of their respective owners.



スイッチファブリックモードについて



MLXe Architecture



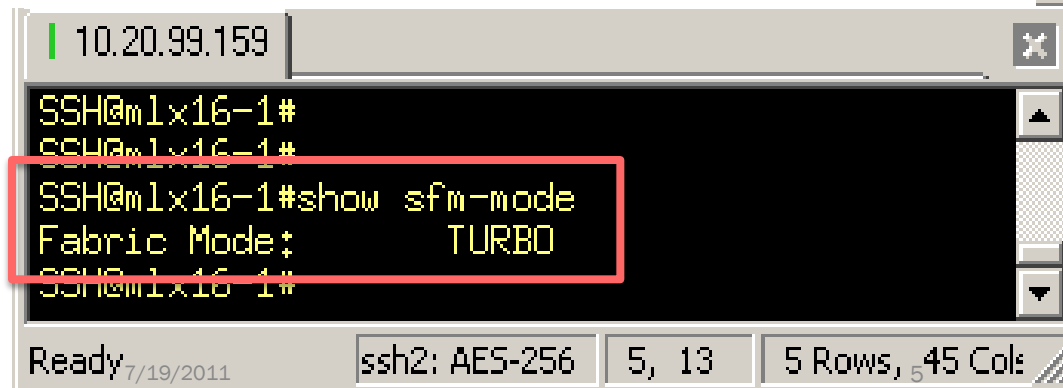
Preliminary Info: Could be subject to change



System Information

Switch Fabric Mode - Turbo vs Normal

- **MLXe supports both NORMAL and TURBO mode**
- **TURBO mode if**
 - no legacy card in the system and
 - no “system-init fabric-mode force-normal” configured
- **NORMAL mode is the default**



```
10.20.99.159
SSH@m1x16-1#
SSH@m1x16-1#
SSH@m1x16-1#show sfm-mode
Fabric Mode:      TURBO
SSH@m1x16-1#
```

Ready 7/19/2011 ssh2: AES-256 5, 13 5 Rows, 45 Col

ファブリックモード

NORMAL/TURBO

- NORMAL
 - ファブリックで交換するパケットサイズが固定
- TURBO(8x10G,100G)
 - ファブリックで交換するパケットサイズが可変
 - RTTの向上
 - よりよいパフォーマンスの実現





Thank You

それでは、外山さんにお返しします。

